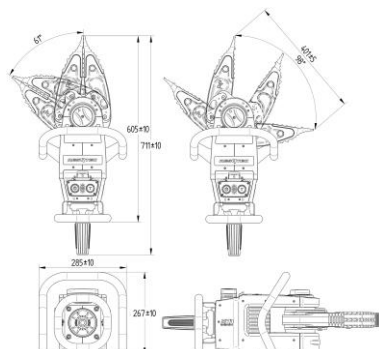


TECHNICAL SPECIFICATIONS

SPREADER P4x



SPREADER P4x

Drive technology	Electronic rotary direct drive (non hydraulic)
Nominal input	43.2 VDC
Dimensions with full control handle (L x W x H)	711 x 285 x 267 mm (±10 mm)
Dimensions with optional compact short control handle (L x W x H)	605 x 285 x 267 mm (±10 mm)
Operational weight incl. Battery Pack 1	19.8 kg (±0.2 kg)
Operational weight incl. Power Connector	19.2 kg (±0.2 kg)
Weight excl. battery	18.8 kg (±0.2 kg)
Weight excl. battery and excl. spreader arms	14.6 kg (±0.2 kg)
Rotating head angle	61°
Max. spreading opening	401 mm (±5 mm)
Spreading force at base of arm teeth ¹	113.0 - 170.8 kN / 11.5 - 17.4 ton
Spreading force at base of jaw	77.5 - 117.0 kN / 7.9 - 11.9 ton
Spreading force 25 mm from tips	41.5 - 62.7 kN / 4.2 - 6.4 ton
NFPA HSF	56.7 kN / 5.8 ton
NFPA LSF	37.5 kN / 3.8 ton
NFPA 1936	Compliant

ACCESSORIES	Art. Nr.	ACCESSORIES	Art. Nr.
LED light add-on	9500.1000	Battery Pack 1 (PP1)	4300.0010
X-series aircraft jaws set	2160.6125	Battery Pack 10 (PP10)	4300.0390
P4w cutter blades set (6 kg)	4250.1720	Power Connector	4300.0150
Rear 360° carry handle (optional)	4250.1065	Battery charger EDD	4300.0140
Short control handle (optional)	4250.0595		

*Maximum is a theoretical force



Information contained in this document is believed to be accurate. However RESQTEC does not guarantee the completeness or accuracy of any of the published information.



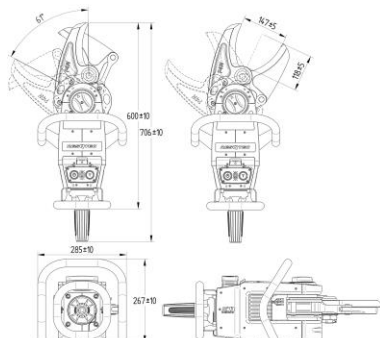
RESQTEC Zumro B.V.
 Meer en Duin 82 | 2163 HC Lisse, the Netherlands

T +31 (0)252 419002
E info@resqtec.com

F +31 (0)252 411794
W www.resqtec.com



TECHNICAL SPECIFICATIONS CUTTER P4w



CUTTER P4w

Drive technology	Electronic rotary direct drive (non hydraulic)
Nominal input	43.2 VDC
Dimensions with full control handle (L x W x H)	706 x 285 x 267 mm (±10 mm)
Dimensions with optional compact short control handle (L x W x H)	600 x 285 x 267 mm (±10 mm)
Operational weight incl. Battery Pack 1	21.5 kg (±0.2 kg)
Operational weight incl. Power Connector	20.9 kg (±0.2 kg)
Weight excl. battery	20.5 kg (±0.2 kg)
Weight excl. battery and excl. cutter blades	14.6 kg (±0.2 kg)
Rotating head angle	61°
Max. cutting opening	147 mm (±5 mm)
Reach	118 mm (±5 mm)
Max. cutting force ¹	981 kN / 100.0 ton
NFPA 1936	Compliant

ACCESSORIES

Art. Nr.

LED light add-on	9500.1000
P4x arms & jaws	4250.1790
Rear 360° carry handle (optional)	4250.1065
Short control handle (optional)	4250.0595

ACCESSORIES

Art. Nr.

Battery Pack 1 (PP1)	4300.0010
Battery Pack 10 (PP10)	4300.0390
Power Connector	4300.0150
Battery charger EDD	4300.0140

*Maximum is a theoretical force



ul. Mikołaja Reja 38
 Suchy Dwór, 81-198 Gdynia

tel./fax: +48 58 781 78 55

tel: +48 58 665 79 93

info@safetech.net.pl

www.safetech.net.pl

Marian Hoppe Sp.j.



RESQTEC Zumro B.V.

Meer en Duin 82 | 2163 HC Lisse, the Netherlands

T +31 (0)252 419002

E info@resqtec.com

F +31 (0)252 411794

W www.resqtec.com

